

Leader L16

In this documentation you will find information about:

- Description
- Options
- Placement
- Maintenance
- Connections
- Dynamic Damping Control
- Technical specifications

Description

The L16 is a 2 way-system with 2 x 8" neodymium woofers, a 5" neodymium ribbon compact driver and a passive crossover.

The mechanical unity between the enclosure and the loudspeaker components results in a very compact and flat construction with outstanding sound quality.

The geometry between the 8" woofers and the ribbon driver is designed to arise a homogeneous radiation pattern with a symmetrical horizontal dispersion of 90° and 40° vertical.

The waterproof glued Birch plywood enclosure is finished with protecture coating and covered with a heavy metal grill. The inside of the grill is covered with acoustic dirt protecting foam.

Options

The L16 is standard finished in SA Black Protecture, but is also available in any possible RAL color (Multi Color Option).

Placement

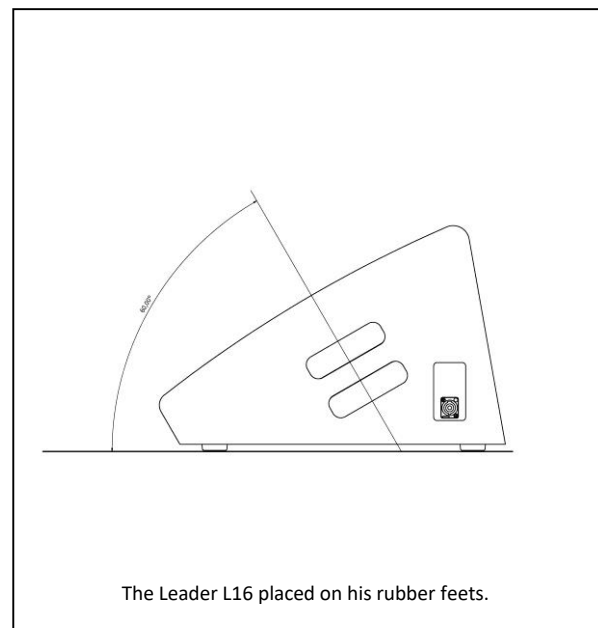
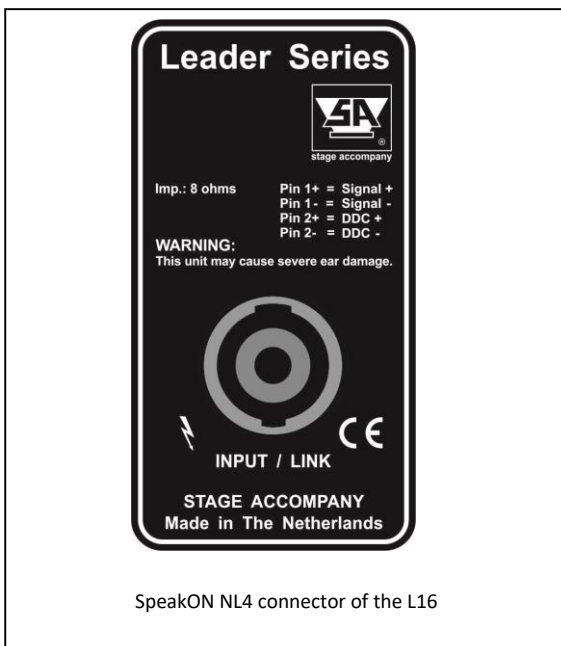
The L16 is designed to be placed on the floor, in front of the musician. The bottom mounted rubber feet will take care for a stable acoustic decoupled placement.

Maintenance

Maintenance on the L16, especially on the drivers and filters, is best left to official Stage Accompany service personnel. However, cleaning of the cabinet can easily be done by yourself with a damp lint-free cloth.

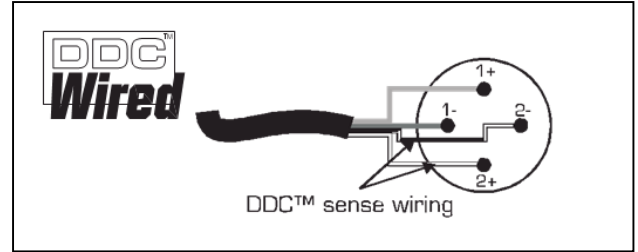
Connections

Both side of the L16 are provided with a SpeakON NL4 connector for input / link.



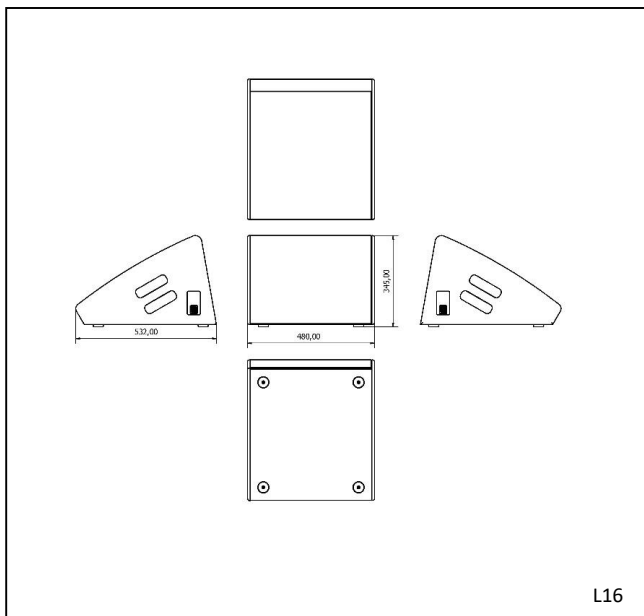
Wiring for DDC™

For absolute top quality sound reproduction, the L is equipped with Dynamic Damping Control™. The DDC™ system is based on two loudspeaker wires that return from the speaker to the (SA) amplifier. The picture on the right shows the wiring of a SpeakON NL4 connector in combination with the DDC™ system.



Technical specifications

Frequency response	: 65Hz – 30kHz (+/- 3dB)
Transducers	: 2 x SA0851N, 8" neodymium LF driver 1 x SA8510D, 5" neodymium HF driver
Cross-over frequency	: 1500Hz
Nominal impedance	: 8Ω
Sensitivity @ 1W/1m	: 97dB
Max. RMS power	: 450W
Max. Peak power	: 900W
SPL program/peak	: 124dB/127dB
Coverage angles (@ 2kHz H x V)	: 40° x 90°
Enclosure construction	: 18/15mm Birch plywood, 2 handles, Protecture finish
Front	: expanded steel with acoustic foam
Color	: SA Black, other colors on request
Connectors	: 2 x SpeakOn NL4
Physical dimensions (H x W x D)	: 345mm x 480mm x 532mm (13.6" x 18.9" x 20.9")
Weight	: 15kg (33.0lb)
Warranty	: 5 years limited (1 year on 'moving parts')



Stage Accompany bv
Haven 28
2984 BR Ridderkerk
The Netherlands
Tel: 31 (0)180 426225
Fax: 31 (0)180 421831
E-mail: info@StageAccompany.com

Copyright 2019 Stage Accompany bv .
The information in this document is continually being developed. Whilst every effort has been made to make it as accurate as possible, no warranty of accuracy is made or implied by the makers. Stage accompany shall have neither liability, nor responsibility to any person or entity with the respect to loss or damages in connection with or arising from the information contained in this document

That's How Music Should Sound!