

# Residential Series

In this documentation you will find information about:

- Description
- Placement
- Maintenance
- Active / passive switch
- Connections
- Flying system
- Options
- Dynamic Damping Control
- Technical specifications

## Description

Based on a classic 15" two way design, the RS72 is an extremely refined loudspeaker designed for residential high SPL playback. Using our proprietary hand matched Stage Accompany drivers and crossover components in a premium birch ply enclosure, the RS72 is the ultimate selection for the residential client who demands the best performance possible.

## Placement

When placing the RS72 you can use the integrated Uni-Rig™ flying system. If desired, you can combine the RS72 with the RSB51 sub woofer.

## Maintenance

Maintenance on the RS72, especially on the drivers and filters, is best left to official Stage Accompany service personnel. However, cleaning of the cabinet can easily be done by yourself with a damp lint-free cloth.

## Active / passive switch

The 'active / passive' switch is located on the connector-panel of the RS72 cabinet

This switch is countersunk to avoid mistakenly switching of the 'active/passive' mode (Caution: never switch to another mode when the cabinet is in use!).

## Connections

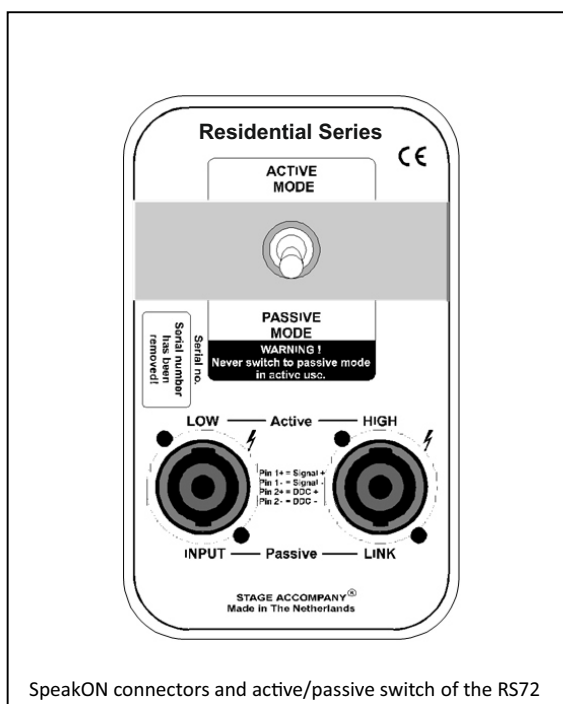
The RS72 has two SpeakON NL4 connectors. If you use the RS72 cabinet 'passive' mode, read the descriptions below the connectors. If used in 'active' mode, read the descriptions above the connectors (Caution: incorrect connection when used in 'active' mode can cause damage to the loudspeaker components).

## Flying system

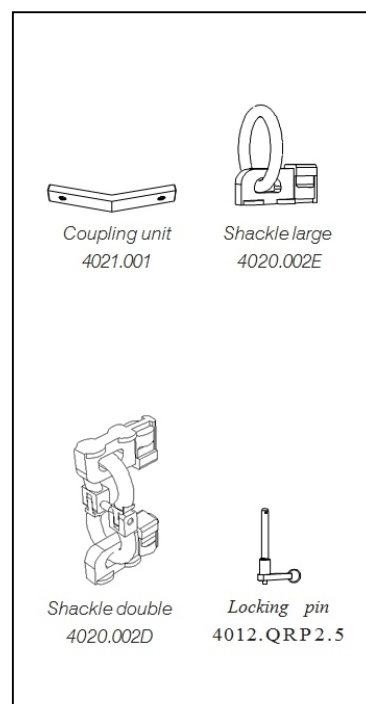
The RS72 standard equipped with the Uni-Rig™ flying system. The accompanying "fly-ware" can be ordered at your local dealer

## Options

The RS72 is standard finished in SA Black Protecture. but is also available in any possible RAL color (Multi Color Option).

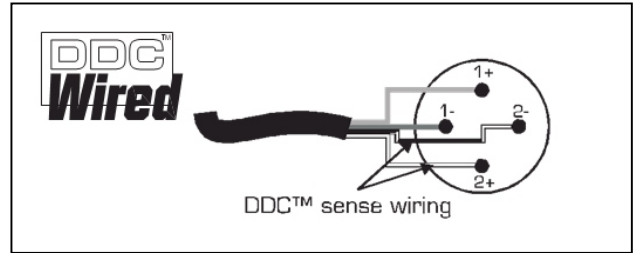


SpeakON connectors and active/passive switch of the RS72



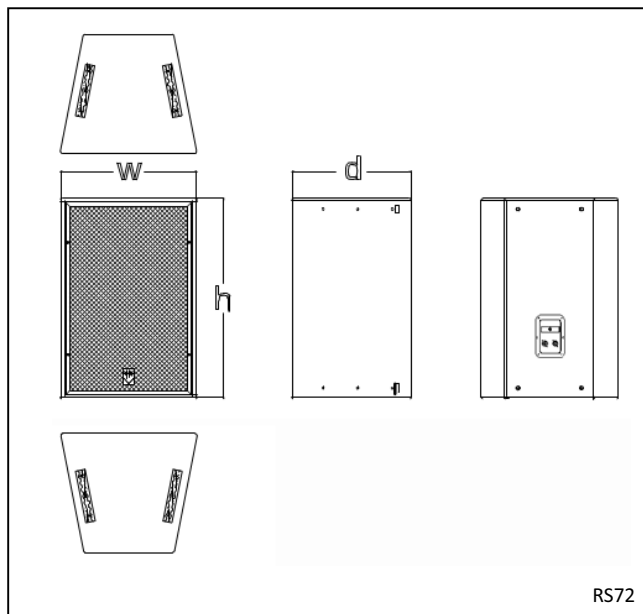
## Wiring for DDC™

For absolute top quality sound reproduction, the RS72 is equipped with Dynamic Damping Control™. The DDC™ system is based on two loudspeaker wires that return from the speaker to the (SA) amplifier. The picture on the right shows the wiring of a SpeakON NL4 connector in combination with the DDC™ system.



## Technical specifications

Frequency response	:	55Hz – 30kHz (+/- 3dB)
Transducers	:	1 x High end 15" driver 1 x neodymium ribbon compact driver
Cross-over frequency	:	1400Hz
Nominal impedance	:	8Ω (passive), 8Ω LF (active), 13Ω HF (active)
Sensitivity @ 1W/1m	:	99dB (passive), 100dB LF (active), 107dB HF (active)
Max. RMS power	:	400W (passive), 400W LF (active), 60W HF (active)
Max. Peak power	:	1000W (passive), 1000W LF (active), 1000W HF (active)
SPL program/peak	:	125dB/129dB (passive), 126/130dB LF (active), 125/137dB HF (active)
Coverage angles (@ 2kHz H x V)	:	70° x 40°
Enclosure construction	:	15mm Birch plywood, Protecture finish
Rigging	:	integrated flying hardware
Front	:	expanded steel with acoustic transparent cloth
Color	:	SA Black, other colors on request
Connectors	:	2 x SpeakOn NL4, 1 x Low / 1 x High (active), 1 x Input/1 x link (passive)
Physical dimensions (H x W x D)	:	758mm x 516mm x 450mm (29.8" x 20.3" x 17.7")
Weight	:	40kg (90.0 lb)
Warranty	:	5 years limited (1 year on 'moving parts')



Stage Company bv  
Haven 28  
2984 BR Ridderkerk  
The Netherlands  
Tel: 31 (0)180 426225  
Fax: 31 (0)180 421831  
E-mail: info@StageCompany.com

Copyright 2023 Stage Company bv.  
The information in this document is continually being developed. Whilst every effort has been made to make it as accurate as possible, no warranty of accuracy is made or implied by the makers. Stage company shall have neither liability, nor responsibility to any person or entity with the respect to loss or damages in connection with or arising from the information contained in this document

***That's How Music Should Sound!***